

SB12100017 – Solutions for Renault Master 2.3 (Traction) Euro5

DRIVE KIT OPTIONS:

RENAULT MASTER MODELS

2.3 dCi - Traction

VEHICLE SPECS.:

Engine type: M9T (Euro 4 / Euro 5)

4 Cyl. / 2.298 cm³

100 / 125 / 150 HP @ 3.500rpm

Vehicles equipped with or without a/c

Compatible with LHD vehicles

Not compatible with vehicles equipped with Start/Stop option

Not recommended in vehicles equipped with automatic gear box

APPLICATION

(*) TM-08/UP-UPF90

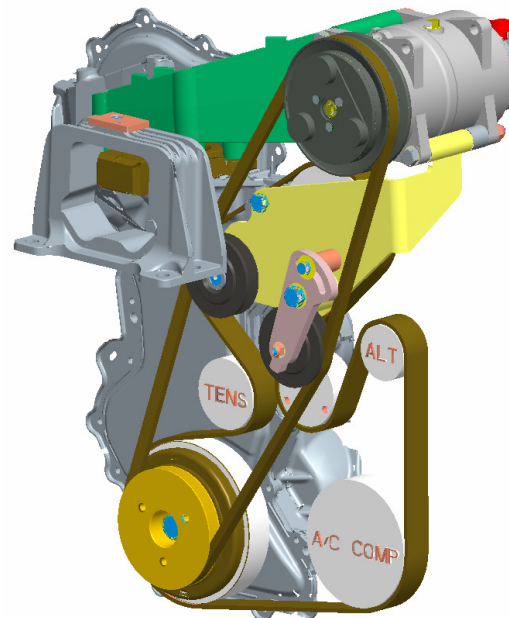
(**) TM-13/TM-15/TM-16

UP-UPF120/150/170

SD5H14/SD7H15

ORDER KITS:

ONE BELT DRIVEN COMPRESSOR:

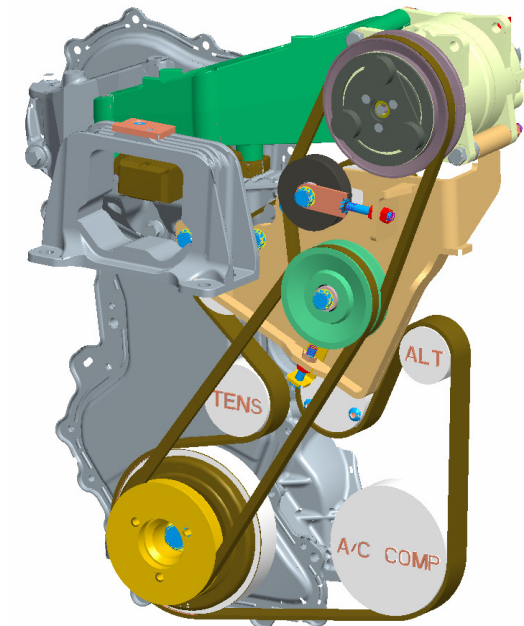


2A Ø135
3.311 rpm

KC10050194 (**)

KC10090202 (*)

TWO BELTS DRIVEN COMPRESSOR:



2A Ø135
3.059 rpm

KC12060277 (**)

KC12060278 (*)